

How to transport exotic species properly

Brussels 5 October 2012

Raymond Tilburg



- Board member ATA (Animal Transportation Association)
- Board member IATA Live Animals and Perishables Board



Subjects

- Exotic animals
- Airlines perspective
- Preparing animals
- Importing animals
- Kinds of animals and some highlights

Exotic animals

- Different sources of animals
- sources:
 - Bred in captivity (B)
 - Farmed (F)
 - Wild caught (W)

Airlines perspective

Know your shipper(s)

- Visits
- Registration forms
 - Trial shipments
 - Pictures of the containers (in- and outside)

Continuous education; always ask for feedback and keep educating the shippers



Exporter

- Transport is not just a phase in the whole process but preparations already start before the booking is made

Preparations

- Do you have the requested, healthy animals available?
- Are you allowed to ship the animals? (CITES and import / export regulations)
- Can the import requirements be met?
- did they receive the needed medication and / or vaccinations

Preparations

- Can the import requirements be met?
- Look for the best routing (that is not always the fastest), always fly with a decent, certified airline
- Always have a plan B in case a flight gets delayed or cancelled

Importers

- Importers should always have some back up containers at the moment of inspection at the BIP
- Importers must have notice on the correct paperwork (healthcerts, CITES etc)
- Importer must be sure about conditioned ramp transport – inspection point -
warehouse – importers / agent's facility

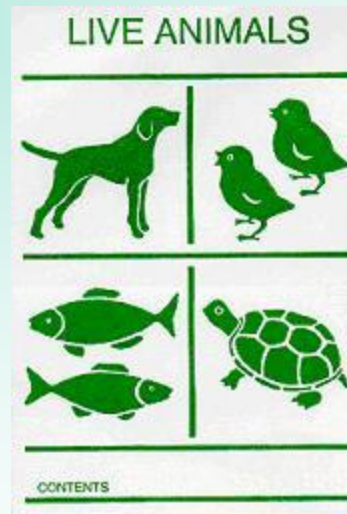
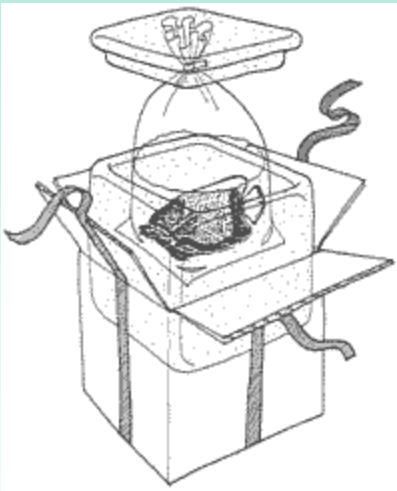
Kinds of animals

- Ornamental fish; *container requirement 51 / 52*
- Amphibians and Reptiles; *container requirement 41-47 and 51*
- Birds; *container requirement 11-23*
- Small mammals; *container requirement 77-81*

All containers must at least meet the IATA LA Requirements!!

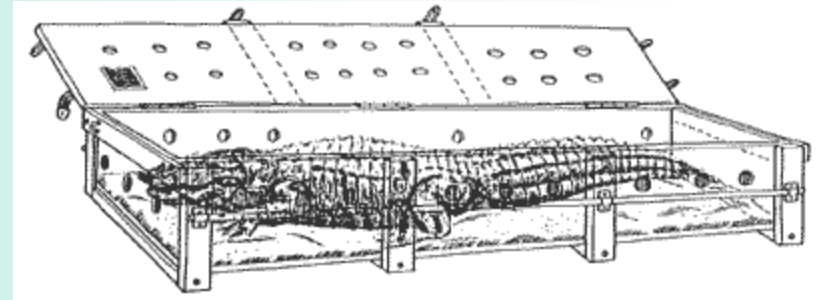
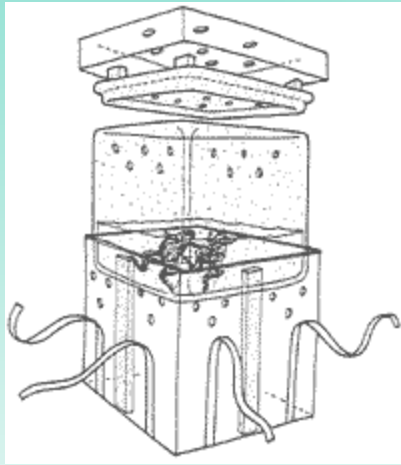
Ornamental fish

- Only fishes in good health should be transported.



Reptiles and amphibians

- Always avoid extreme temperatures



Birds

- There should be no sharp edges or projections on the inside surfaces of the container



Small mammals

- The front should be of mesh and designed and constructed that the animals are not able to come into contact with persons handling the container



Most important is the health and well being of the animals!

ATA believes that all animals, birds, and other living creatures, domestic and wild, are a vital part of our environment and are to be conserved and humanely treated